

PODMIC

DYNAMIC PODCASTING MICROPHONE



BROADCAST
QUALITY



INTERNAL
POPFILTER



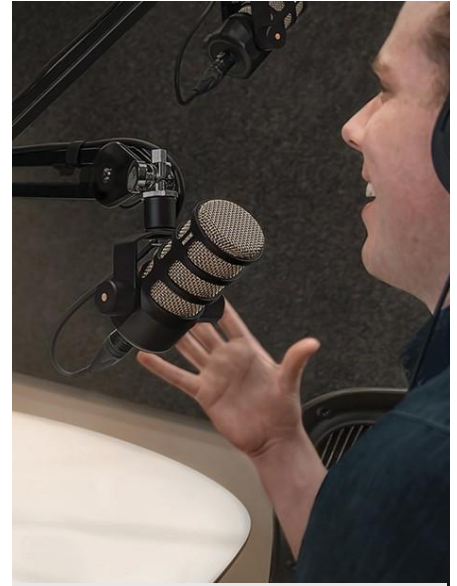
RUGGED
BUILD



2 YEAR
WARRANTY

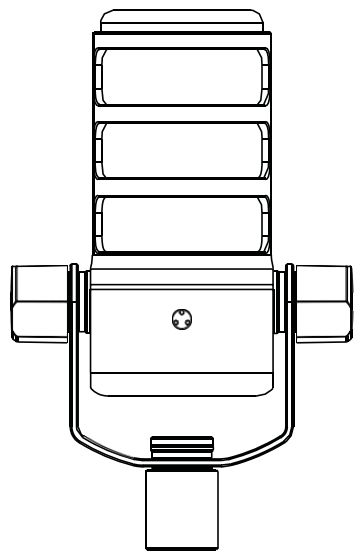
The PodMic is a broadcast quality, dynamic microphone optimised for podcasting. It has a rich, balanced sound, with an internal pop filter to minimise plosives and internal shockmounting to reduce vibration.

The PodMic is optimised for use with the RØDECaster™ Pro integrated podcast production console, but will also offer exceptional results with any high-quality microphone interface.



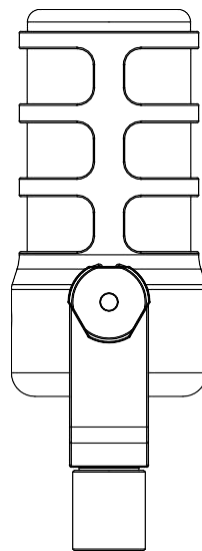
- Broadcast quality dynamic capsule
- Optimised for speech applications
- Internal pop filter to minimise plosives
- Robust, all metal construction
- Optimised for use with RØDECaster Pro console

Front view



109mm

Side view

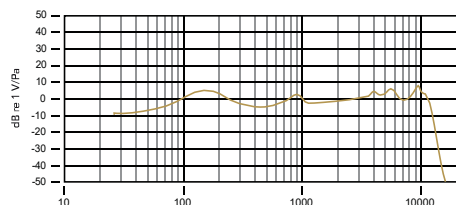
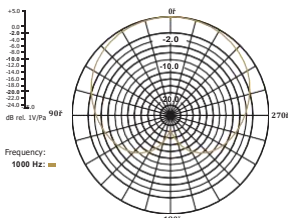


62mm

172mm

SPECIFICATIONS

Acoustic Principle:	Dynamic
Polar Pattern:	Cardioid
Frequency Range:	20Hz ~20 kHz
Output Impedance:	320Ω
Sensitivity:	-57.0dB re 1 Volt/Pascal (1.60mV @ 94 dB SPL) +/- 2 dB @ 1kHz
Output Connection:	XLR
Phantom Power:	Not required
Colour:	Black
Weight:	937g
Product Dimensions (LxWxH, mm):	172 x 109 x 62
Compatible RØDE Accessories:	PSA1



The PodMic is a broadcast quality, dynamic microphone optimised for podcasting. It has a rich, balanced sound, with an internal pop filter to minimise plosives and internal shockmounting to reduce vibration.

The PodMic is optimised for use with the RØDECaster™ Pro integrated podcast production console, but will also offer exceptional results with any high-quality microphone interface.

- Broadcast quality dynamic capsule
- Optimised for speech applications
- Internal pop filter to minimise plosives
- Robust, all metal construction
- Optimised for use with RØDECaster Pro console

PodMic 是一款专为播客而设计广播级的动圈式话筒。其音色饱满圆润，内置防喷罩，可最大限度地减少爆破音，内设减震装置，可减轻震动。

PodMic 不仅针对 RØDECaster™ Pro 播客制作录音棚进行了优化，还能与任意高质量的话筒接口配合使用，提供卓越的音效。

- 广播级动圈式音头
- 针对语音应用进行了优化
- 内置防喷罩，可最大限度地减少爆破音
- 坚固的全金属结构
- 旨在与 RØDECaster Pro 播客制作录音棚配合使用

SPECIFICATIONS

Acoustic Principle: 规格参数:	Dynamic
Polar Pattern: 极性模式	Cardioid 心形
Frequency Range: 频率范围:	20Hz ~20 kHz
Output Impedance: 输出阻抗	320Ω
Sensitivity: 灵敏度:	-57.0dB re 1 Volt/Pascal (1.60mV @ 94 dB SPL) +/- 2 dB @ 1kHz
Output Connection: 输出连接:	XLR
Phantom Power: 幻想电源	Not required
Colour: 颜色:	Black
Weight: 净重 (克):	937g
Product Dimensions (LxWxH, mm): 尺寸 (毫米):	172 x 109 x 62
Compatible RØDE Accessories: 可兼容配件	PSA1