

RØDE

THREAD ADAPTOR

螺纹适配器

THREAD ADAPTOR



The Thread Adaptor is a premium universal adaptor kit for mounting a range of devices onto any mic stand, boom pole, tripod or studio arm. It features 1/4, 3/8, and 5/8-inch adaptors in a unique integrated set with a carabiner for safekeeping. These can be configured to connect any standard thread to any standard mount – a lifesaver on set, in the studio, or in the field – and it features a handy driver for tightening and loosening the adaptors. The Thread Adaptor is a must-have “everyday carry” accessory for sound engineers, filmmakers, and photographers.

这款螺纹适配器是一套顶级的通用适配器套件，用于将一系列设备安装到任何麦克风支架、悬臂杆、三脚架或工作室臂上。它将 1/4、3/8 和 5/8 英寸适配器设计在一个独特的集成套件中，带有一个用于保管的安全钩。这些套件可以连接到任何标准安装座，不论是在现场还是工作室，它就像救生员一样时刻准备着。它还配备了工具用于拧紧和旋松适配器。 Thread Adaptor 是音响工程师、电影制作人和摄影师必备的“日常携带”配件。

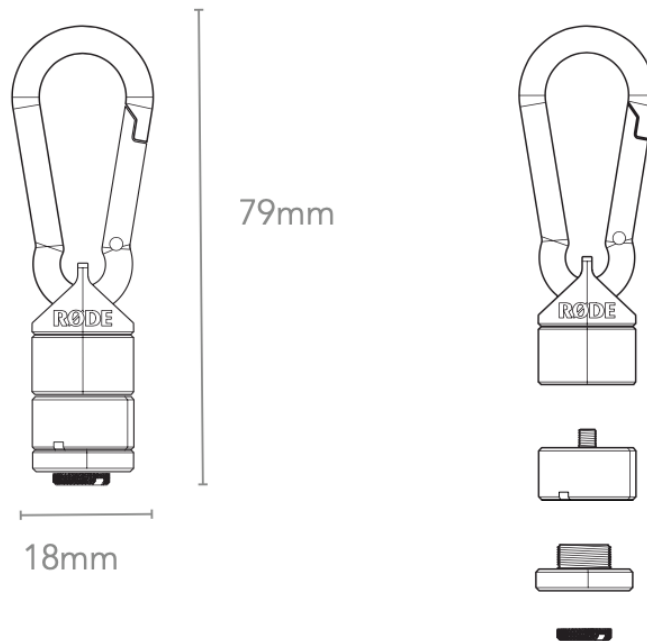
- Adaptor kit for mounting a range of devices onto any mic stand, boom pole, tripod or studio arm
- 1/4, 3/8, and 5/8-inch adaptors in a unique integrated set that can be configured to connect any standard thread to any standard mount
- Carabiner clip for attaching to camera/sound bags or clothing
- Integrated driver for tightening and loosening adaptors or camera plates
- Made from durable stainless steel and brass

- 适配器套件，用于将一系列设备安装到任何麦克风支架、悬臂杆、三脚架或工作室臂上
- 1/4、3/8 和 5/8 英寸适配器设计在一个独特的集成套件中，可连接任何标准安装座
- 登山扣夹，用于固定在相机/音响包或衣服上
- 用于拧紧和旋松适配器或相机板的工具
- 由耐用的不锈钢和黄铜制成





Front view



ACOUSTIC & ELECTRICAL SPECIFICATIONS

规格

Weight(grams):	71
Dimensions: (millimeters)	Length:25 Width: 18 Height:79
Compatible RODE Products:	Any device that uses 1/4", 5/8", and 3/8" inserts.

重量 (克) :	71
尺寸: (毫米)	长: 25 宽: 18 高: 79
适用于 RODE 其他产品:	适用于任何1/4", 5/8", 3/8"尺寸的接口。